



Assembly Instructions and Parts List

Stand for JWL-1221VS Lathes

Stock No. 719202A

⚠ WARNING Read and understand the entire owner's manual that accompanied your JWL-1221VS lathe before attempting assembly or operation of accessories.

⚠ WARNING: This product can expose you to chemicals including lead and cadmium which are known to the State of California to cause cancer and birth defects or other reproductive harm. For more information go to <http://www.p65warnings.ca.gov>.

⚠ WARNING: Drilling, sawing, sanding or machining wood products generates wood dust and other substances known to the State of California to cause cancer. Avoid inhaling dust generated from wood products or use a dust mask or other safeguards for personal protection.

Wood products emit chemicals known to the State of California to cause birth defects or other reproductive harm. For more information go to <http://www.p65warnings.ca.gov/wood>.

Inspect contents for shipping damage. Report any damage or part shortages to your distributor. Do not discard shipping materials until accessory is set up and functioning properly.

Shipping contents

- 1 Cross bar
- 2 Legs
- 2 Brackets
- 4 Tube caps
- 4 Levelers with hex nut
- 1 Tool tray
- 1 Hardware package, includes:
 - 4 Socket head cap screws, 5/16x3/4
 - 4 Lock washers, 5/16
 - 4 Flat washers, 5/16
 - 8 Socket head cap screws, M8x80
 - 4 Socket head cap screws, M8x75
 - 20 Flat washers, 8mm
 - 4 Hex nuts, M8

Tools required for assembly

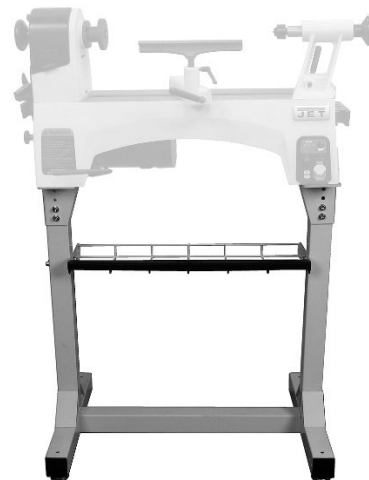
6mm hex key ("Allen wrench")
Open-end wrenches, 13mm (1/2"); 14mm (9/16")

JET
427 New Sanford Road
LaVergne, Tennessee 37086
Ph.: 800-274-6848
www.jettools.com

Assembly

Refer to exploded view on reverse side for parts clarification. Bracketed numbers refer to index numbers in exploded view.

1. Install two levelers [5] into bottom of each leg. Levelers can be adjusted for height and leveling of lathe. Tighten hex nut [6] against leg to secure setting.
2. Install cross bar [4] to bottom of legs with screws and washers [7/8]. Make snug but *do not fully tighten yet*.
3. Install tool tray [13] with screws, nuts and washers [8/9/17]. *Do not fully tighten yet*.
4. Mount a bracket [1] to each leg with screws, washers, and nuts [7/8/9]. Gussets on brackets should face toward each other. Multiple holes allow adjustment of lathe height. Make nuts snug but *do not fully tighten yet*.
5. Place lathe onto stand brackets, and secure with screws and washers [10/11/12]. Insert all four screws first, then tighten each securely.
6. Fully tighten all screws and nuts in cross bar [4], tool tray [13] and brackets [1].



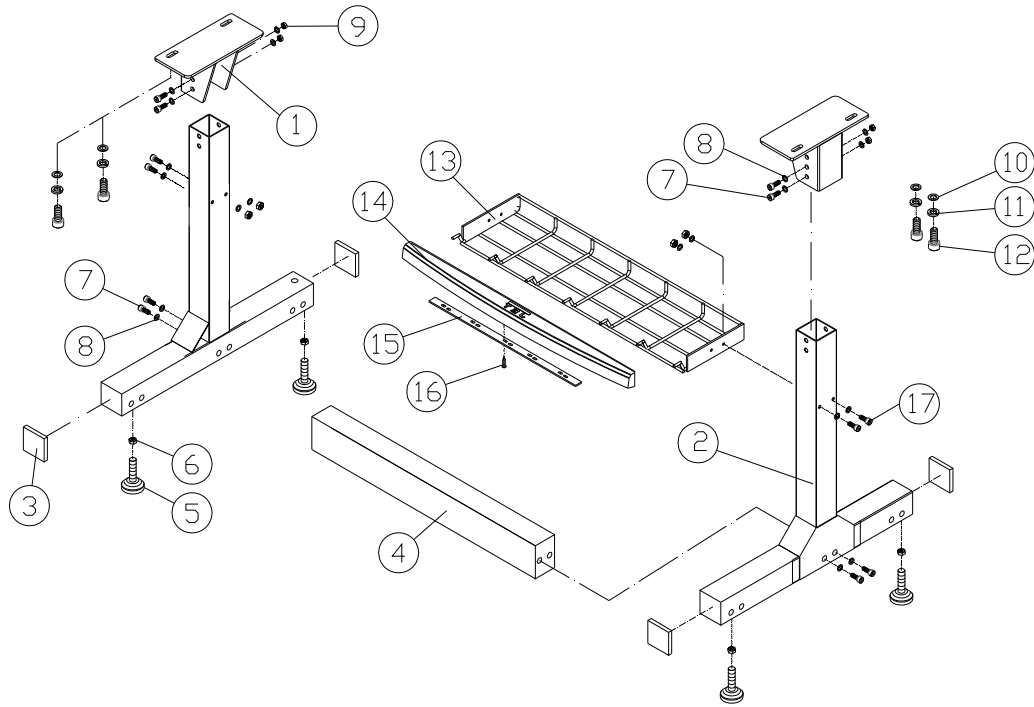
Manual No. M-719202A
Edition 3 09/2019

Copyright © 2017 JET, a Division of JPW Industries, Inc.

Specifications

Stock no.	719202A
Assembled dimensions (WxDxH) approx.	788 x 584 x 800 mm (31 x 23 x 31-1/2 in.) Height positions: 28-3/4, 29-3/4, 30-3/4, 32-1/2 in.
Shipping dimensions (WxDxH) approx.	810 x 700 x 220mm (31.9 x 27.6 x 8.7 in.)
Net weight (approx.)	18 kg (40 lbs)
Shipping weight (approx.)	21.5kg (47.3 lbs)

719202A Stand for JWL-1221VS Lathes



Index No	Part No	Description	Size	Qty
1	JWL1221VSS-101	Bracket		2
2	JWL1221VSS-102	Steel Leg		2
3	JWL1221VSS-103	Cover		4
4	JWL1221VSS-104	Cross Bar		1
5	JWL1642-206	Leveler	3/8"	4
6	TS-0561031	Hex Nut	3/8"-16	4
7	F005415	Hex Socket Hd Cap Screw *	M8-1.25 x 80	8
8	TS-1550061	Flat Washer *	M8	20
9	TS-1540061	Hex Nut *	M8	8
10	TS-0680031	Flat Washer *	5/16"	4
11	TS-0720081	Lock Washer *	5/16"	4
12	TS-0208041	Socket Head Cap Screw *	5/16"-18 x 3/4"	4
13	JWL1221VS-407	Tool Tray		1
14	JWL1221VS-409	Tool Tray Cover		1
15	JWL1221VS-411A	Plate		1
16	JWL1221VS-410	Machine Tapping Screw	3.5 x 10 mm	10
17	TS-2238751	Hex Socket Hd Cap Screw *	M8-1.25 x 75	4
	LM000288	ID Label (not shown)		1
	JWL1221VSS-HP	Hardware Package (includes items with *)		

To order parts or reach our service department, call 1-800-274-6848 Monday through Friday, 8:00 a.m. to 5:00 p.m. CST. Having the Model Number and Serial Number of your machine available when you call will allow us to serve you quickly and accurately.

Non-proprietary parts, such as fasteners, can be found at local hardware stores, or may be ordered from JET. Some parts are shown for reference only, and may not be available individually.