

## STEM SIZES & COLOUR GUIDE

For ease of recognition, the inner collar is colour coded for each of the nine sizes available.

STEM SIZE	COLOUR
1/2" Stem	GREEN
5/8" Stem	BLUE
3/4" Stem	GOLD
7/8" Stem	PINK
1" Stem	RED
20mm Stem	ORANGE
25mm Stem	PURPLE
28mm Stem	GREY
30mm Stem	SILVER



Always use eye protection and a form of dust mask as well as an air cleaner and dust extractor when doing any form of woodworking.

For further information on these and any other Robert Sorby products, please contact us at:

**Robert Sorby Ltd**, Sheffield ENGLAND

Tel: +44 (0) 114 225 0700

E-mail: [sales@robert-sorby.co.uk](mailto:sales@robert-sorby.co.uk)

*Robert Sorby*

# TRAC

TOOL REST ADJUSTMENT COLLAR

The Robert Sorby TRAC is the perfect addition for every woodturner.



It allows the tool rest height to be easily adjusted up or down, by up to 1/2"/13mm, by just turning the outer adjustment ring.

Included:



Acetal seating disc



Allen key

*Robert Sorby*

Registered in England: Company No. 3464018

Registered Office: Atlas Way, Atlas North, Sheffield S4 7QQ

VAT No GB 172 4019 84



MADE IN SHEFFIELD



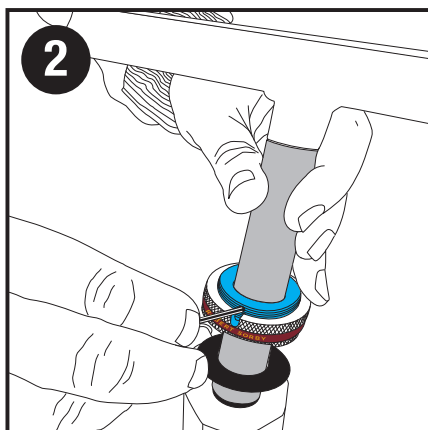
MADE IN  
BRITAIN

[www.robert-sorby.co.uk](http://www.robert-sorby.co.uk)

The TRAC ensures the tool rest stays at the personally set height, even when the tool rest locking handle is released, allowing the tool rest to be moved to a new position without the need to reset the height prior to locking into place.

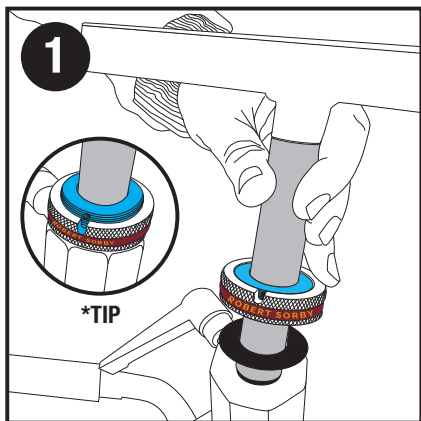
The Acetal seating disc allows the TRAC to operate smoothly and easily.

The Robert Sorby TRAC is available in nine sizes, to suit the standard tool rest stem of virtually every lathe available in the world, as well as the full range of stems from the Robert Sorby modular tool rest system.



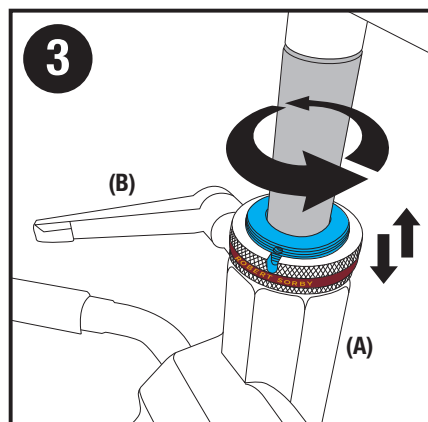
Move the TRAC to the desired position on the stem and lock into place with the included Allen key.

## SIMPLE STEP-BY-STEP GUIDE



Place the TRAC & seating disc onto the stem.

**\*TIP:** Adjust the outer ring so around  $\frac{1}{4}$ " / 6mm of the inner ring is protruding to allow for easy up and down adjustment.



Allow the sealing disc and TRAC to sit onto the stem column (A) and adjust to the required height by rotating the outer ring. Now position the tool rest in the desired position and lock the stem in the normal way with the lathe locking handle (B).

*Robert Sorby*

Registered in England: Company No. 3464018  
Registered Office: Atlas Way, Atlas North, Sheffield S4 7QQ  
VAT No GB 172 4019 84

 **MADE IN BRITAIN**  
MADE IN SHEFFIELD

[www.robert-sorby.co.uk](http://www.robert-sorby.co.uk)